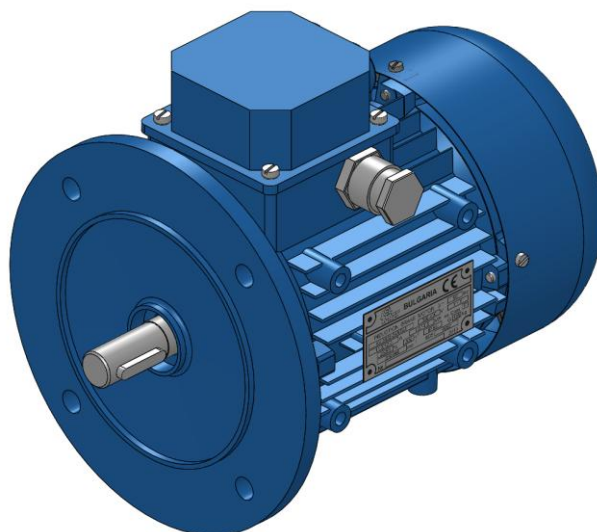
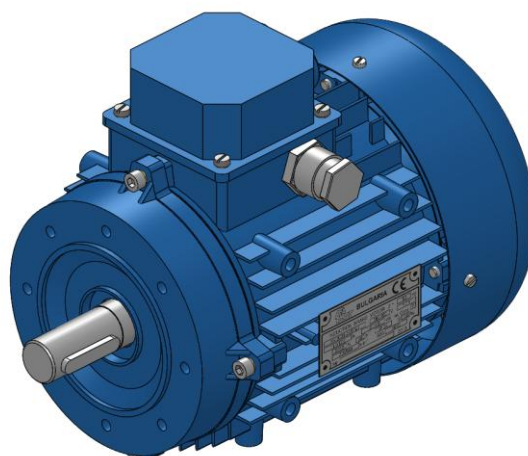
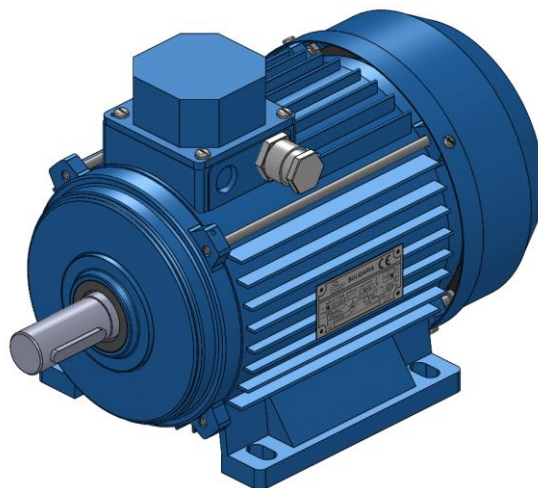




## ASYNCHRONOUS ELECTRIC MOTORS FOR GENERAL INDUSTRIAL APPLICATION





## Asynchronous electric motors for general industrial application

- Voltage modifications; 50 Hz / 60 Hz
- Insulation class F
- Protection IP 54
- Options for built-in thermal protection
- Design executions:
  - IM B3 (DIN 42 673)
  - IM B14 (DIN 42 677)
  - IM B5 (DIN 42 677)

P <sub>H</sub>		Type	n <sub>H</sub>	I <sub>H</sub>	I <sub>o</sub>	P <sub>o</sub>	η	cos φ	Starting characteristics			Duty/class
kW	HP		rpm	A	A	W	%		I <sub>k</sub> /I <sub>H</sub>	M <sub>k</sub> /M <sub>H</sub>	M <sub>max</sub> /M <sub>H</sub>	
1.5	2	AO80 L2	2780	3	1.6	130	77	0.87	5	2.6	2.8	S1
1.1	1.5	AO80 L4	1380	2.8	1.4	150	74	0.75	4.3	2.5	2.8	S1
1.1	1.5	AO90 S4	1390	3	1.4	150	76	0.88	4.3	2.2	2.6	S1
1.5	2	AO90-4	1380	3.4	1.6	150	81	0.88	5.5	2.3	2.6	S1
2.2	3	AO90 L4	1390	5.5	2.7	250	80	0.85	5	2.6	4	S1
3	4	AO100-2	2850	6.7	3.5	360	82	0.87	5.8	2.7	3	S1
4	5.5	AO112-2	2860	8.6	5	360	84	0.82	6	2.6	3.3	S1
2.2	3	AO100-4	1420	5.5	3.3	340	79	0.86	5.5	2.4	2.8	S1
3	4	AO100 L4	1420	7.5	4.6	340	82	0.87	4.9	2.2	2.47	S1
4	5.5	AO112-4	1430	9	5	350	83	0.86	5.8	2.5	3.0	S1
5.5	7.5	AO132 S4	1440	12	7	600	86	0.84	7.2	2.5	2.9	S1
7.5	10.2	AO132 L4	1440	16.5	9	640	86	0.88	6.2	2.9	3.3	S1
1.5	2	AO100-6	960	4.6	3	250	78	0.72	3.5	2.4	2.8	S1
2.2	3	AO112-6	950	6.2	4.7	400	78	0.70	4.6	2.5	3.8	S1
5.5	7.5	AO132 L6	950	14.5	9	560	81	0.72	4.3	2.2	2.4	S1
0.75	1	AO100-8	700	2.9	2.4	260	67	0.60	3.2	2.1	2.6	S1
1.5	2	AO112-8	705	6.4	5.5	510	67	0.53	3.0	2.2	2.7	S1
2.2	3	AO132 S8	716	8	7	570	75	0.52	3.0	2	2.4	S1
3	4	AO132 L8	715	11.9	9.8	700	74	0.52	3	2	2.4	S1
Single-phase electric motors												CD
1.1	1.5	ECR 80-4	1310	7.5	5	540	66	0.94	3.6	2.4	2.5	40
1.5	2	ECR 90-4	1390	11	7.5	600	73	0.85	3.6	2.3	3	40